

LL-100 Series



- Proven ultrasonic technology
- Effective in virtually any liquid, regardless of viscosity
- Compact design
- Standard 3/4" NPT mounting
- Miniaturized, encapsulated electronics use a smaller, more compact enclosure than comparable systems

DESCRIPTION

The Pointsense™ Model LL-100 Liquid Level Switch is the ideal solution to a host of liquid level sensing and control applications. It uses proven ultrasonic technology to operate in virtually any liquid, regardless of viscosity. Its small size and standard 3/4" NPT mounting make it the perfect choice for new or existing applications. The LL-100 consists of a 316 LSS sensor and an integral miniaturized, encapsulated electronic control unit which is mounted in a cast aluminum, watertight enclosure.

FEATURES

- 500:1 wet to dry ratio
- Epoxy painted enclosure
- 316 LSS sensor and encapsulated electronic control unit
- No calibration or special installation requirements

APPLICATIONS

- Pump Protection
- Storage Tanks
- Compressors
- Hydraulic Supply Lines
- Boiler Water Cutoff
- Sewage Systems
- Pipe Lines

PERFORMANCE SPECIFICATIONS

Parameter	Typical Value
Repeatability	2 mm typical
Delay	0.5 seconds (standard)
Input Power	115 V or 230 V 50/60 Hz AC (standard); 12 or 24 VDC (optional)
Output	10 A DPDT relay
Housing	NEMA 4/NEMA 7 watertight, explosion proof enclosure. Cast Aluminum Class 1, Group C&D, Class II, Group E, F, & G; and Class III, Division 1 & 2

Parameter	Typical Value
Mounting	3/4" NPT standard
Sensor Material	316L SS (standard)
Weight	1 lbs (0.45 Kg) approximate
Operating Pressure	Up to 1000 PSIG – 316 SS (6895 Kpa)
Temperature	Sensor: -40 to 300 °F (-40 to 149 °C) Electronics: -20 to 170 °F (-29 to 77 °C)

MECHANICAL DIMENSIONS in inches [mm]

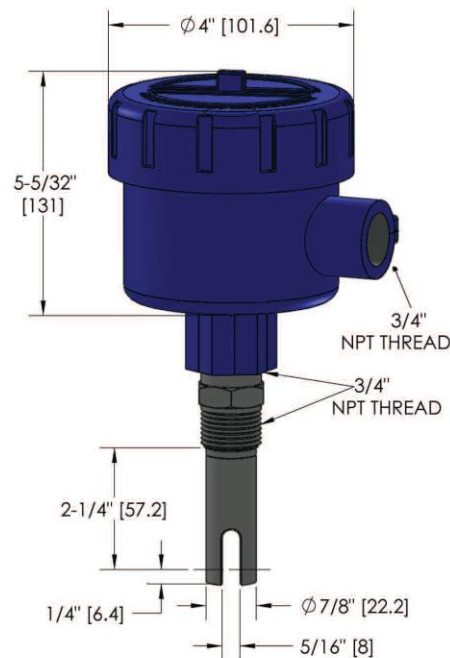


Figure 1: LL-100 series elements

APPLICATION SCHEMATICS

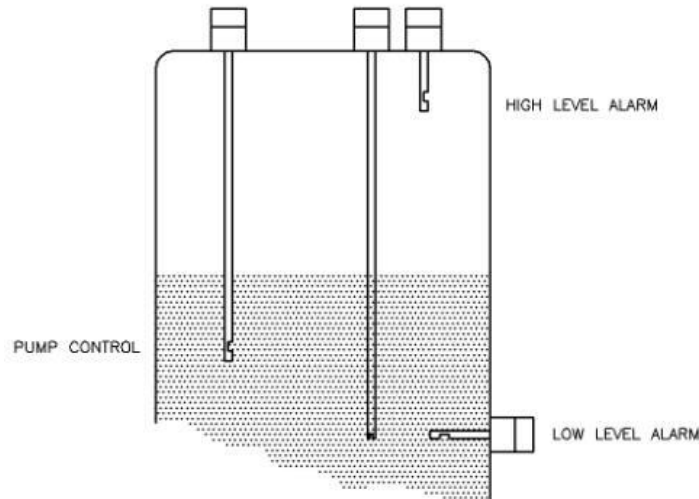
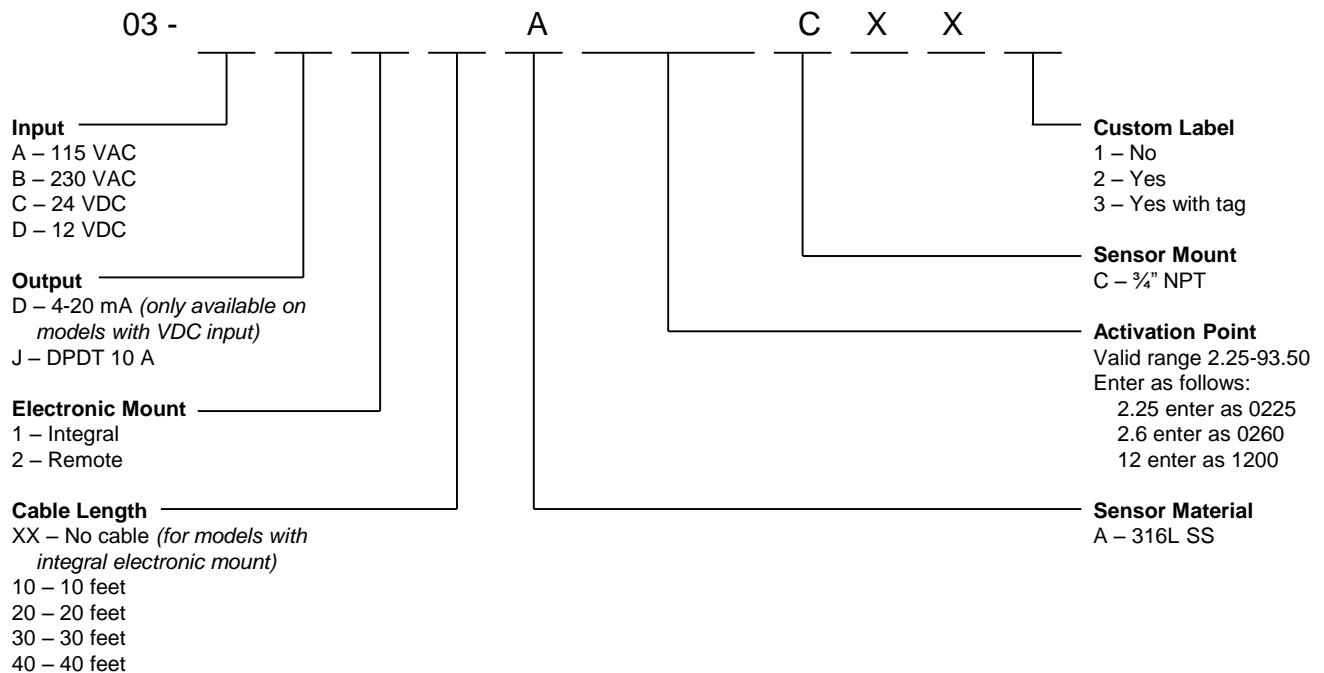


Figure 2: Schematic drawing depicting the LL-100 series elements used in high and low level alarm applications.

ORDERING INFORMATION



LL-100 Series

TECHNICAL CONTACT INFORMATION

North America

Measurement Specialties, Inc.
1000 Lucas Way
Hampton, VA 23666
Tel: 1-800-745-8008
Fax: 1-757-766-4297
Sales: piezo@meas-spec.com

Europe

MEAS Deutschland GmbH
Hauert 13
44227 Dortmund
Germany
Sales & Customer Service: +49 (0)231 9740 21
Technical Support: +44 (0)138 38700 01
Email: piezoeurope@meas-spec.com

Asia

Measurement Specialties (China) Ltd.
No. 26 Langshan Road,
High-Tech Park (North)
Nanshan District, Shenzhen 518057
Tel: +86 755 3330 5068
Email: sales.china@meas-spec.com

The information in this sheet has been carefully reviewed and is believed to be accurate; however, no responsibility is assumed for inaccuracies. Furthermore, this information does not convey to the purchaser of such devices any license under the patent rights to the manufacturer. Measurement Specialties, Inc. reserves the right to make changes without further notice to any product herein. Measurement Specialties, Inc. makes no warranty, representation or guarantee regarding the suitability of its product for any particular purpose, nor does Measurement Specialties, Inc. assume any liability arising out of the application or use of any product or circuit and specifically disclaims any and all liability, including without limitation consequential or incidental damages. Typical parameters can and do vary in different applications. All operating parameters must be validated for each customer application by customer's technical experts. Measurement Specialties, Inc. does not convey any license under its patent rights nor the rights of others.